



# AUTOMATE

## HARMO HRXf SERIES FULL SERVO ROBOTS



HRX-500GW

### HRXf/SERIES

With pinpoint accuracy and repeatability, rugged durability, and high speed performance, the HRXf Series Full Servo Extraction Robots are redefining the automation industry. These powerful yet very cost effective robots are perfect for automating horizontal molding machines from 40–1,000 tons in both three and five axis configurations.

The HRXf Series features the highest quality linear guides on all axes, employing THK rail and bearing systems. The redesigned kick frame provides more rigidity for enhanced support and repeatability. The thick-walled aluminum extrusion traverse beam with ridged steel sub-weldment suppresses vibration and maximizes resistance to deflection during critical operations. Smaller units are available with single or two-stage telescopic vertical arms. The two-stage telescopic configuration is standard on HRX-300 and larger models allowing for easy placement in low ceiling environments. This configuration also offers faster take-out times due to the compound arm construction method.

HRXf Series robots are backed by the industry's largest customer service support group and a full compliment of factory trained automation technicians.

### STANDARD FEATURES

- 26 spare outputs / 20 spare inputs
- Absolute encoder digital AC servo motor all-axis actuation
- Traverse beam-end mounted control cabinet (floor-based cabinet available upon request)
- Fully compliant SPI ready interface (32 pin/10 amp) - also available in Euromap 12 or 67
- Robot "Not-in-Use" function - allows independent IMM operation
- One (1) vacuum circuit
- Two (2) pressure circuits
- A or B side pick (no mechanical modifications necessary)
- Ultra thin C-Axis wrist flip

### OPTIONAL FEATURES

- Additional vacuum circuit(s)
- Additional pressure circuit(s)
- A-Axis pneumatic wrist rotate - 0-180°
- Pressure monitor—alarm on at lower pressures
- EOAT gate cut circuit—gate cut circuit in EOAT
- Traverse end gate cut—gate cut(s) at the end of traverse frame
- Signal tower—red, yellow, and green
- End of arm tooling quick change system
- Extended stroke lengths (varies by model)



c/o ACS Automation  
2900 S 160th Street  
New Berlin, WI 53151 USA  
Tel. 262.641.3838 Fax 262.641.8651

www.aecinternet.com



**WHITLOCK/  
MATERIAL  
HANDLING**



**HEAT & COOL**



**BLEND &  
RECLAIM**



**NELMOR/  
GRANULATE**



**DOWNSTREAM  
EKTRUSION**



**AUTOMATE**



**SYSTEMS  
CONTRACTING**



**SERVICE**



# AUTOMATE

## HARMO HRXf SERIES FULL SERVO ROBOTS



### RCA2600 SERIES CONTROLLER

HRXf Series robots are equipped with a highly efficient and easy-to-use RCA-2600 Next Generation Controller. This uniquely intelligent controller stores as many as 100 mold setups and confirms up to 28 robot motions at actual speed before automatic operation. Additional mold setups can be stored using the standard USB port or the optional disk drive. Sequences are easily programmed via an easy-to-see 6.5" color LCD touch panel interface. Manual operation keys are grouped separately for direct access to frequently used functions, making operations quick and easy.

### STANDARD FEATURES

- All axis 3D "Fast Path Motion"
- Multiple home positions - rack mold ready
- Lightweight – compact – ergonomic hand-held, color graphic user interface (GUI)
- LED mode indicators
- JOG dial for easy position teaching
- Soft-touch keys for manual operation
- Multi level password protection
- Screen saver mode
- Three-position safety switch
- 100 mold memory – on board
- USB port for unlimited off-line file storage
- Global device net capable for increased I/O
- Teach speeds/timers/positions on-the-fly
- 99 position all-axis palletizing
- Wrist flip on-the-fly
- Reject counter / sampling mode

### HRXf SERIES SPECIFICATIONS

Model Number / Description		Main Arm Vertical Stroke mm (in.)	Main Arm Kick Stroke mm (in.)	Traverse Stroke mm (in.)	Sub Arm Vertical Stroke mm (in.)	Sub Arm Kick Stroke mm (in.)	Max. Payload
HRXf-80S	Single stage, single arm	650 (25.6)	425 (16.7)	1200 (47.2)	N/A	N/A	6.6 lbs.
HRXf-80SW	Telescopic, single arm		300 (11.8)		700 (27.6)	300 (11.8)	
HRXf-80G	Single stage, sub arm		265 (10.4)		265 (10.4)	265 (10.4)	
HRXf-80GW	Telescopic, sub arm	800 (31.5)	705 (27.8)	1400 (55.1)	N/A	N/A	11 lbs.
HRXf-150S	Single stage, single arm		584 (23.0)		850 (33.5)	584 (23.0)	
HRXf-150SW	Telescopic, single arm		552 (21.7)		552 (21.7)	552 (21.7)	
HRXf-150G	Single stage, sub arm	900 (35.4)	705 (27.8)	1600 (63.0)	N/A	N/A	11 lbs.
HRXf-150GW	Telescopic, sub arm		584 (23.0)		950 (37.4)	584 (23.0)	
HRXf-200S	Single stage, single arm		552 (21.7)		552 (21.7)	552 (21.7)	
HRXf-200SW	Telescopic, single arm	1100 (43.3)	1015 (40.0)	1800 (70.9)	N/A	N/A	22 lbs.
HRXf-200G	Single stage, sub arm		861 (33.9)		1150 (45.3)	861 (33.9)	
HRXf-200GW	Telescopic, sub arm		861 (33.9)		861 (33.9)	861 (33.9)	
HRXf-300SW	Telescopic, single arm	1300 (51.2)	1100 (43.3)	2000 (78.7)	N/A	N/A	33 lbs.
HRXf-300GW	Telescopic, sub arm		1100 (43.3)		1300 (51.2)	1045 (41.1)	
HRXf-500S	Telescopic, single arm		1100 (43.3)		1100 (43.3)	1100 (43.3)	
HRXf-500GW	Telescopic, sub arm	1100 (43.3)	1100 (43.3)	1100 (43.3)	1100 (43.3)	1100 (43.3)	1100 (43.3)

Power Source: AC200V - Three Phase  $\pm 10\%$  - 50/60 Hz  
Air Consumption: 80 PSI



c/o ACS Automation  
2900 S 160th Street  
New Berlin, WI 53151 USA  
Tel. 262.641.3838 Fax 262.641.8651

ENGINEERING TOTAL PROCESS SOLUTIONS WITH INTEGRATED AEC EQUIPMENT

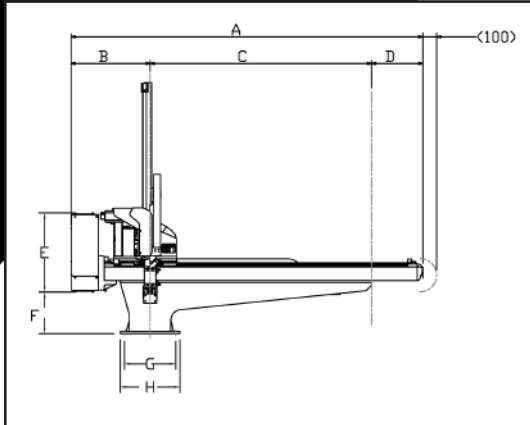
AEC is committed to a continuing program of product improvement.  
©2007 AEC, Inc. Bulletin AA3-110.1

Specifications, appearances and dimensions are subject to change without notice.  
Printed in USA



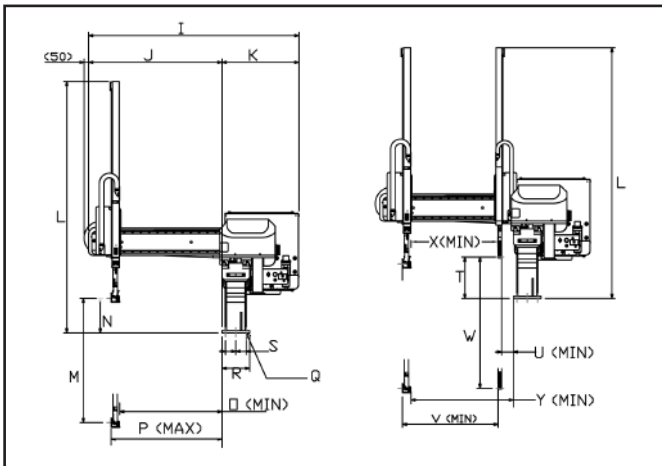
# AUTOMATE

## HARMO HRXf SERIES FULL SERVO ROBOTS



### SINGLE STAGE VERTICAL ARM (MM)

Model Number	A	B	C	D	E	F	G	H
HRXf-80S/G	2130	560	1200	370	580	127	240	280
HRXf-150S/G	2300	570	1400	330	580	202	240	280
HRXf-200S/G	2540	570	1600	370	580	302	370	430



### SUB ARM (MM)

Model Number	T	U	V	W	X	Y
HRXf-80G	200	95	79	700	30	215
HRXf-150G	200	100	93	850	30	231
HRXf-200G	300	85	93	950	30	210

### SINGLE STAGE VERTICAL ARM (MM)

Model Number	I	J	K	L	M	N	O*	P	Q	R	S
HRXf-80S/G	1209	666	544	1354	650	150	47	515	14X4	125	40
HRXf-150S/G	1519	978	541	1597	800	150	48	815	14X6	170	60
HRXf-200S/G	1519	963	556	1817	900	250	33	800	18X6	200	75

\* Dimension applies to S model only



c/o ACS Automation  
 2900 S 160th Street  
 New Berlin, WI 53151 USA  
 Tel. 262.641.3838 Fax 262.641.8651

ENGINEERING TOTAL PROCESS SOLUTIONS WITH INTEGRATED AEC EQUIPMENT

AEC is committed to a continuing program of product improvement.  
 © 2007 AEC, Inc.

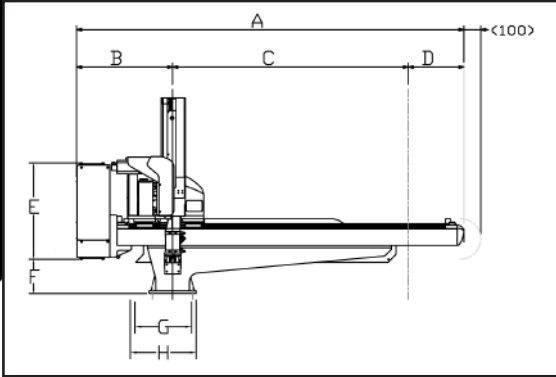
Bulletin AA3-110.1

Specifications, appearances and dimensions are subject to change without notice.  
 Printed in USA



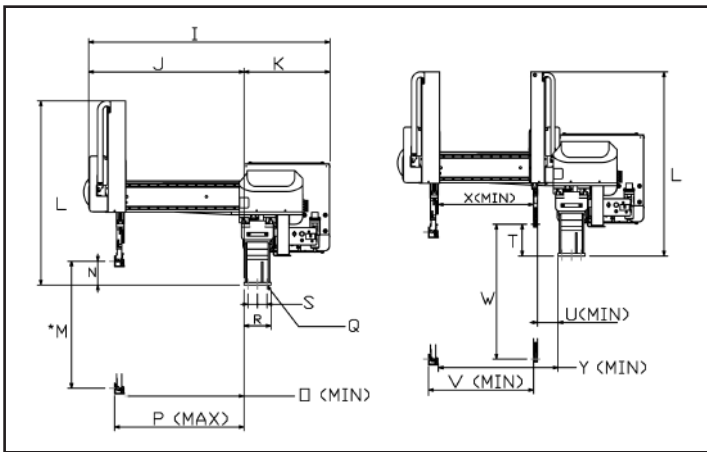
# AUTOMATE

## HARMO HRXf SERIES FULL SERVO ROBOTS



### TWO-STAGE TELESCOPIC ARM (MM)

Model Number	A	B	C	D	E	F	G	H
HRXf-80SW/GW	2130	560	1200	370	580	127	240	280
HRXf-150SW/GW	2300	570	1400	330	580	202	240	280
HRXf-200SW/GW	2540	570	1600	370	580	302	370	430
HRXf-300SW/GW	2700	585	1800	315	611	375	470	530
HRXf-500SW/GW	3047	630	2000	417	574	128	470	570



### SUB ARM (MM)

Model Number	T	U	V	W	X	Y
HRXf-80GW	200	130	82	700	31	250
HRXf-150GW	200	130	97	850	35	263
HRXf-200GW	300	115	97	950	35	248
HRXf-300GW	350	115	88	1150	26	239
HRXf-500GW	350	105	65	1300	N/A	250

### TWO-STAGE TELESCOPIC ARM (MM)

Model Number	I	J	K	L	M	N	O*	P	Q	R	S
HRXf-80SW/GW	1209	666	544	943	650	150	47	515	14X4	125	40
HRXf-150SW/GW	1519	978	541	1160	800	150	48	815	14X6	170	60
HRXf-200SW/GW	1519	963	556	1320	900	250	33	800	18X6	200	75
HRXf-300SW/GW	1845	1288	556	1523	1100	300	33	1100	18X6	200	75
HRXf-500SW/GW	2274	1696	578	1692	1300	300	170	1350	18X6	250	75

\* Dimension applies to S model only



c/o ACS Automation  
 2900 S 160th Street  
 New Berlin, WI 53151 USA  
 Tel. 262.641.3838 Fax 262.641.8651

ENGINEERING TOTAL PROCESS SOLUTIONS WITH INTEGRATED AEC EQUIPMENT

AEC is committed to a continuing program of product improvement.  
 ©2007 AEC, Inc.

Bulletin AA3-110.1

Specifications, appearances and dimensions are subject to change without notice.  
 Printed in USA